

M 130

Dynamic Double-Ribbon Microphone

Order # 730.173



FEATURES

- Dynamic double-ribbon microphone
- Figure-eight polar pattern
- Excellent suppression of lateral noise
- High impulse fidelity and good transient response
- Handcrafted in Germany

APPLICATION

The M 130 is ideal for stereo, room and instrument recordings and brings a popular and special ribbon sound that is characterised by warmth and precision. Depending on positioning and spatial situation, the M 130 can be used for studio recordings of drums, electric guitar amps, piano, acoustic guitars, orchestras, choirs or for all kinds of atmospheric recordings.

As a stereo microphone system, two M 130 can be used to create a Blumlein stereo system for an excellent sounding room recording. M/S recordings can be made together with a hypercardioid or supercardioid microphone such as the M 160 dynamic double-ribbon microphone or the MC 950 true condenser microphone.

TECHNICAL SPECIFICATIONS

| | |
|-----------------------------|-------------------------|
| Transducer type | Dynamic |
| Operating principle | Pressure gradient |
| Frequency response | 40 - 18,000 Hz |
| Polar pattern | Figure-eight |
| Rear attenuation at 1 kHz | > 30 dB at 90° |
| Sensitivity (0 dB = 1 V/Pa) | 1.3 mV/Pa (= -57.5 dBV) |
| Nominal impedance | 200 Ω |
| Load impedance | ≥ 1000 Ω |
| Diaphragm | Pure aluminium |
| Case/finish | Brass |
| Connector | XLR, 3-pin, male |
| Dimensions: | |
| Length | 128 mm |
| Shaft diameter | 23 mm |
| Head diameter | 38.5 mm |
| Weight | 160 g |

SUPPLIED ACCESSORY

| | | |
|----------|---|----------------|
| MA-CL 25 | Microphone clamp with 3/8" internal thread, with internal diameter of 25 mm | Order # 727954 |
|----------|---|----------------|



beyerdynamic

CREATE THE AMAZING

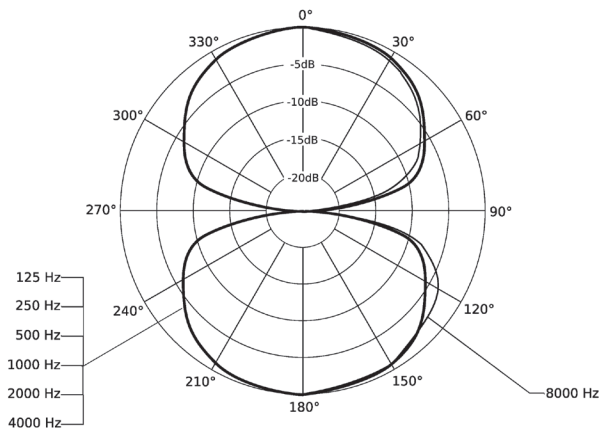
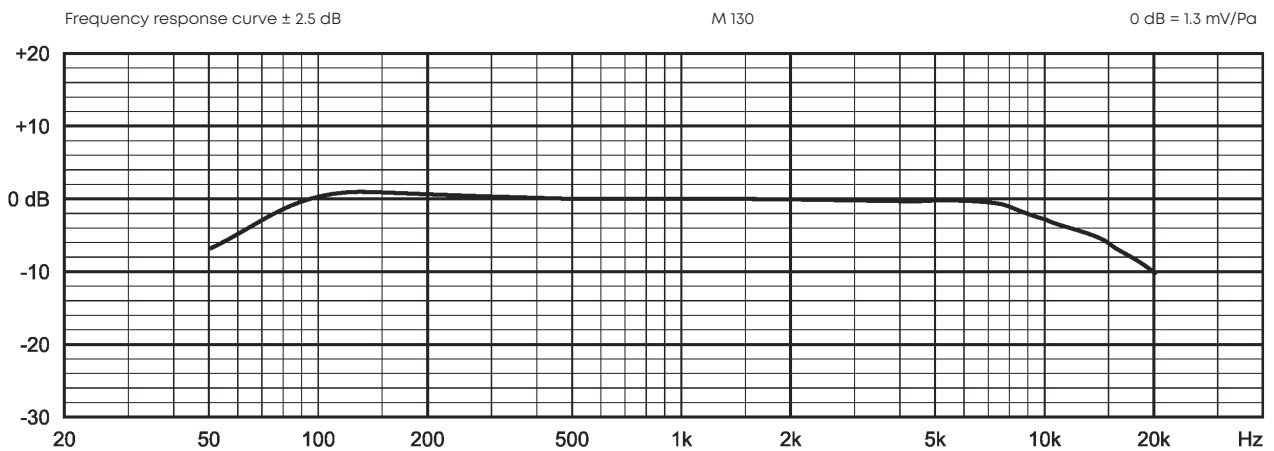
M 130

Dynamic Double-Ribbon Microphone

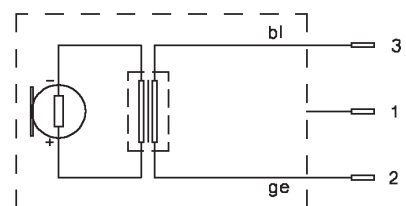
Order # 730.173

FREQUENCY RESPONSE & POLAR PATTERN

This polar pattern and frequency response curve correspond to a typical production sample for this microphone.



WIRING DIAGRAM



CREATE THE AMAZING

